



A  
M  
A  
S  
E  
T





# Shaping the Future of Metal Solutions

Expert in the state-of-the-art manufacturing of springs, clips, and complex 2D/3D wire, tube, and sheet metal parts. Telsama Metal operates with ISO 9001, ISO 14001, and IATF 16949 certifications, supported by advanced optical inspection systems.

## A Strong Manufacturing Foundation Since 1996

Founded in 1996, Telsama Metal delivers high-precision manufacturing solutions to automotive Tier 1 and Tier 2 suppliers, household appliances, defense, electrical & electronics, and healthcare industries.

Quality, sustainability, and traceability are at the core of our operations.

## “Made in Telsama Türkiye” is Not a Slogan — It’s a Standard

“Made in Telsama Türkiye” reflects a deep sense of ownership across every stage of production.

The same team that manufactures each part stands behind its quality.

### This standard ensures:

- Shorter and more reliable supply chains
- Tighter tolerances
- Faster quality control feedback
- Full traceability and transparency

### For us, it represents:

- Ownership of our craft
- Control over our processes
- And the legacy carried by every product we deliver

Establishment

**1996**



Trading of spring machinery  
and raw materials

**2000-2004**



IATF 16949

**2015**



**1997**

Telsama Taiwan  
setup



**2004**

Start of spring  
manufacturing  
& ISO 9001



**2025**

ISO 14001



# Our 2025 Investments & 2026 Goals

## **Digital Transformation:**

Completed the first phase of digital data collection, reducing paper usage in production by 80% through tablet integration. The MES (Manufacturing Execution System) project will enter its next phase in 2026.

## **Spot Welding Line:**

Established the spot welding line for robot-formed parts.

## **Warehouse Management:**

Achieved full integration between warehouse operations and ERP systems.

## **Employee Competency:**

Delivered comprehensive training programs for all employees.

## **Quality:**

Obtained ISO 14001 certification and successfully passed surveillance audits for ISO 9001 and IATF 16949.

## **Export:**

Increased export ratio to over 80%.



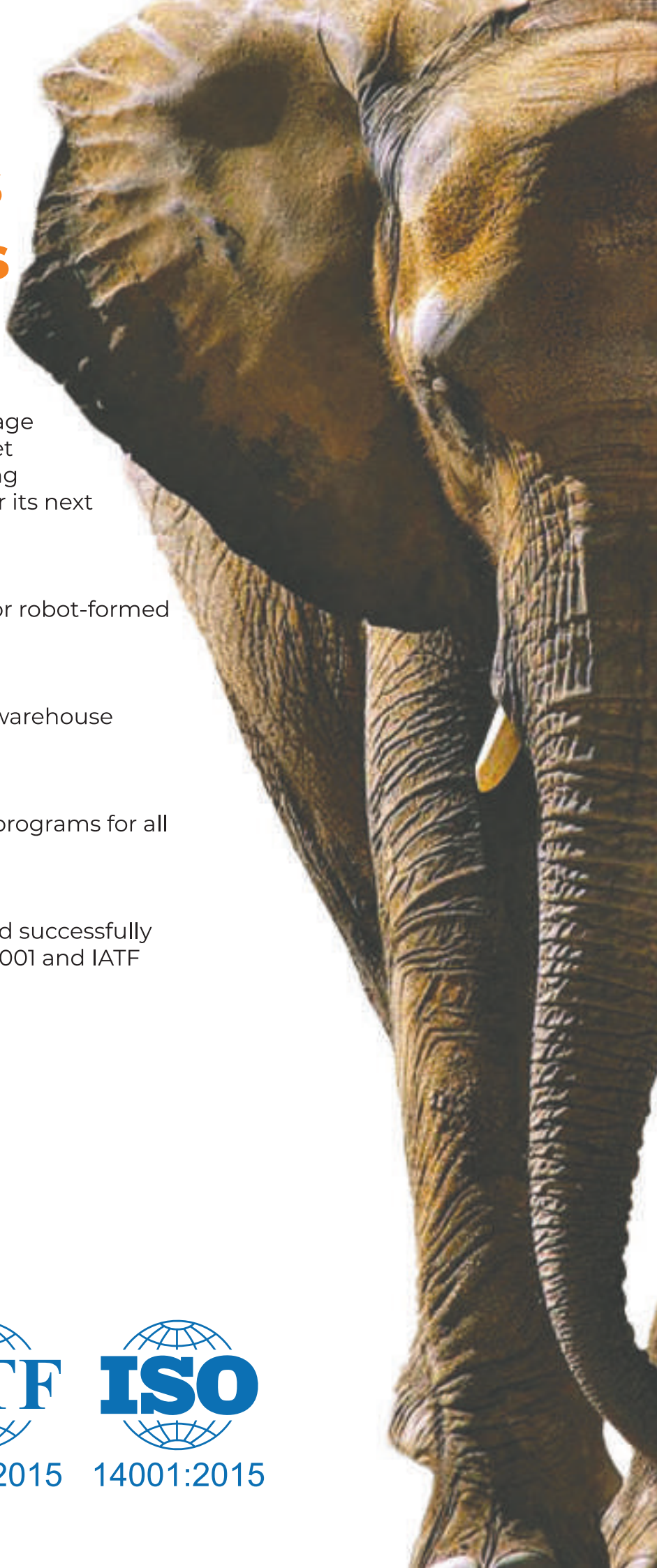
9001:2015



16949:2015



14001:2015



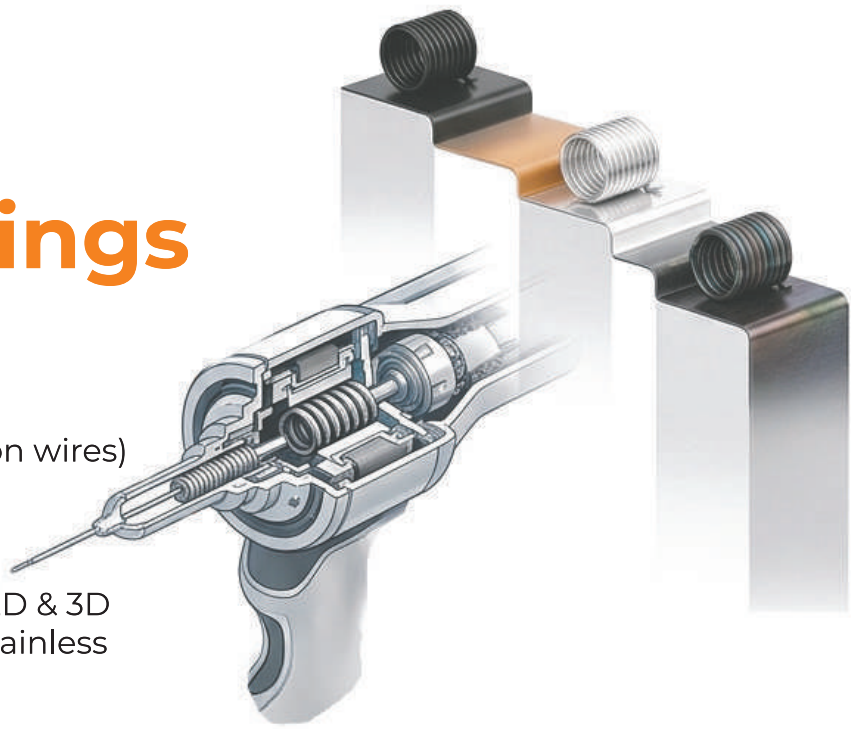
# Torsion & Extension Springs

## Wire Diameter Range

Ø 0.20 mm – Ø 4.00 mm (for high carbon wires)

## Product Specialization

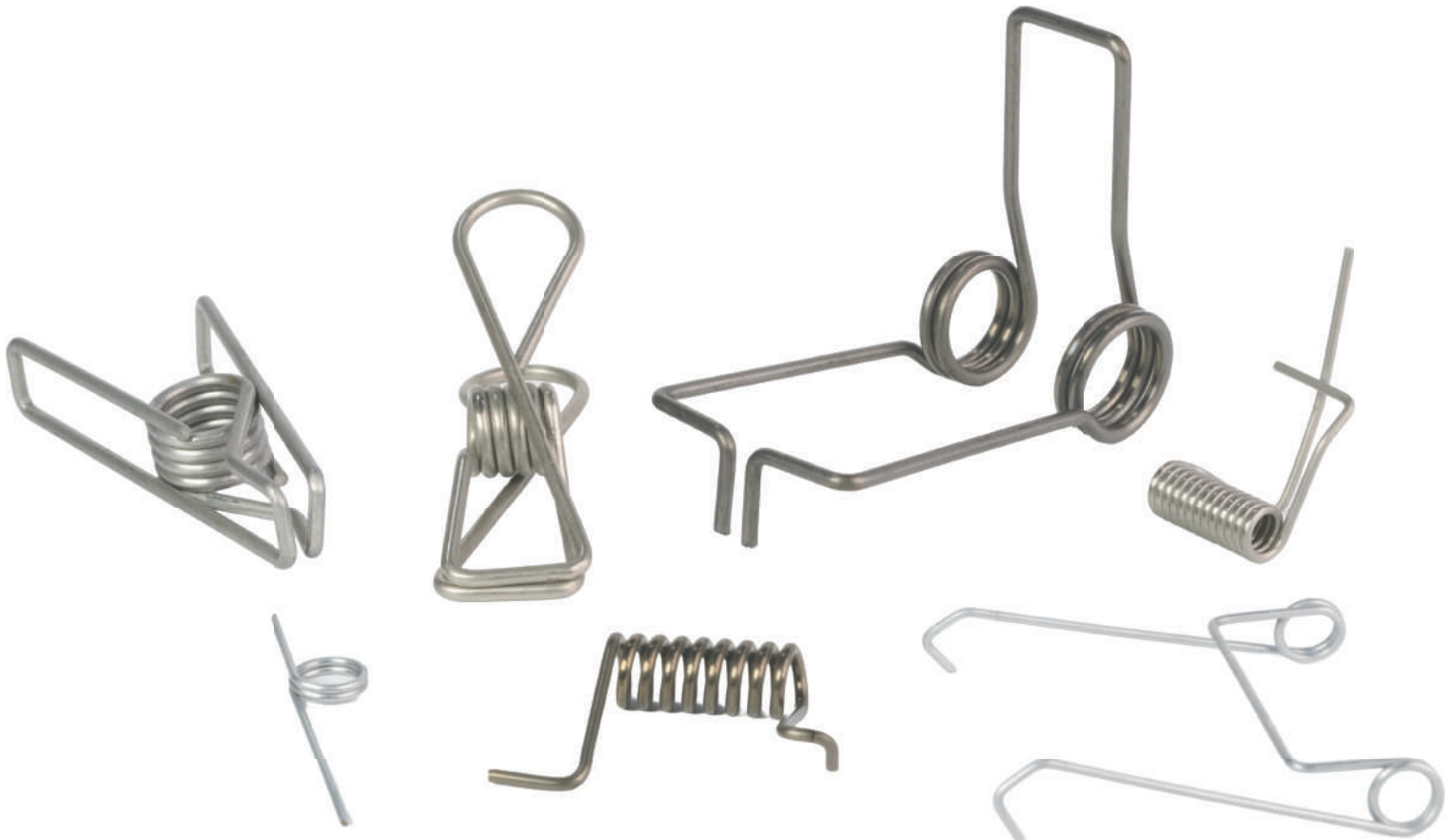
Hook and Pull Springs, Torsion Springs (Standard & Double-Torsion), Complex 2D & 3D Wire Forms, Parts from Carbon Steel, Stainless and Alloy Spring Wires



## Expertise in Torsion Springs

Torsion springs are engineered to store and release rotational energy, providing resistance to twisting forces. We manufacture them for both clockwise and counter-clockwise applications to meet your specific design requirements.

Furthermore, our recent technological investments allow us to produce advanced double-torsion springs, delivering superior performance to meet even the most demanding load and use-case scenarios.





# Compression Springs

## Wire Diameter Range

Ø 0.20 mm – Ø 12 mm  
(for high carbon wires)

## Advanced Production Technology

Our CNC-optical controlled and automated sorting machines ensure the highest precision and consistency.



## Product Focus

Oil Seal Springs, All types of Compression Springs

## Materials

Carbon Steel, Stainless Steel, and Alloy Spring Wires.

## Expertise in Compression Springs

A compression spring is an open-coiled helical spring that provides resistance to axial compressive forces. Engineered for reliability and performance, Telsama's compression springs are manufactured from high-quality raw materials and adhere to stringent quality standards.

We produce them in a vast range of diameters and sizes to meet diverse load and application requirements, from heavy-duty industrial uses to precision-critical applications in the hi-tech industry.



# Precision Stamping & Forming

## Material Range (High Carbon Strips)

Thickness (t): 0.20 mm – 2.00 mm

Width (w): 5.00 mm – 60.00 mm

## Product Specialization

Metal Clips & Bushes (Wire and Sheet Metal), Strip Springs

## Materials

Carbon Steel, Stainless Steel, Alloy Spring Plates, and Bronze.

## Advanced Manufacturing & Quality Assurance

We leverage state-of-the-art production systems and a wide range of materials to manufacture strip springs and metal components that are precisely tailored to your specifications.

Our commitment to quality is embedded at every stage. Through 100% in-process monitoring with high-precision Optical Control Machines, we guarantee superior quality and strict adherence to your requirements.



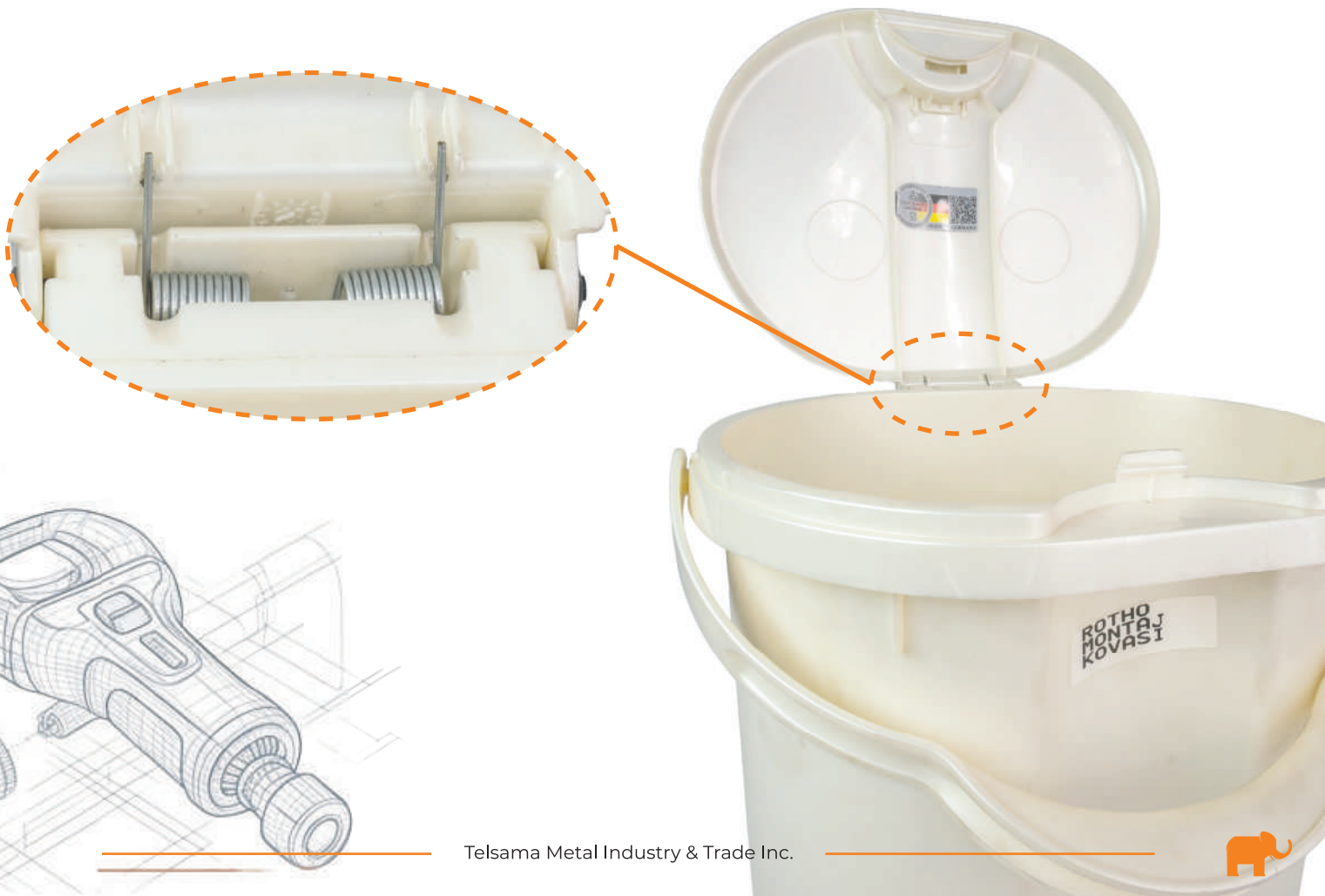
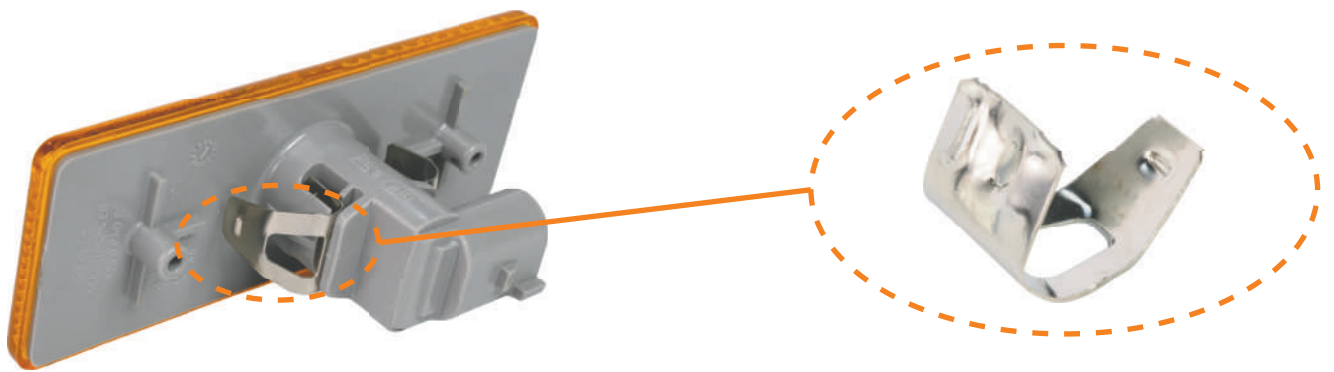
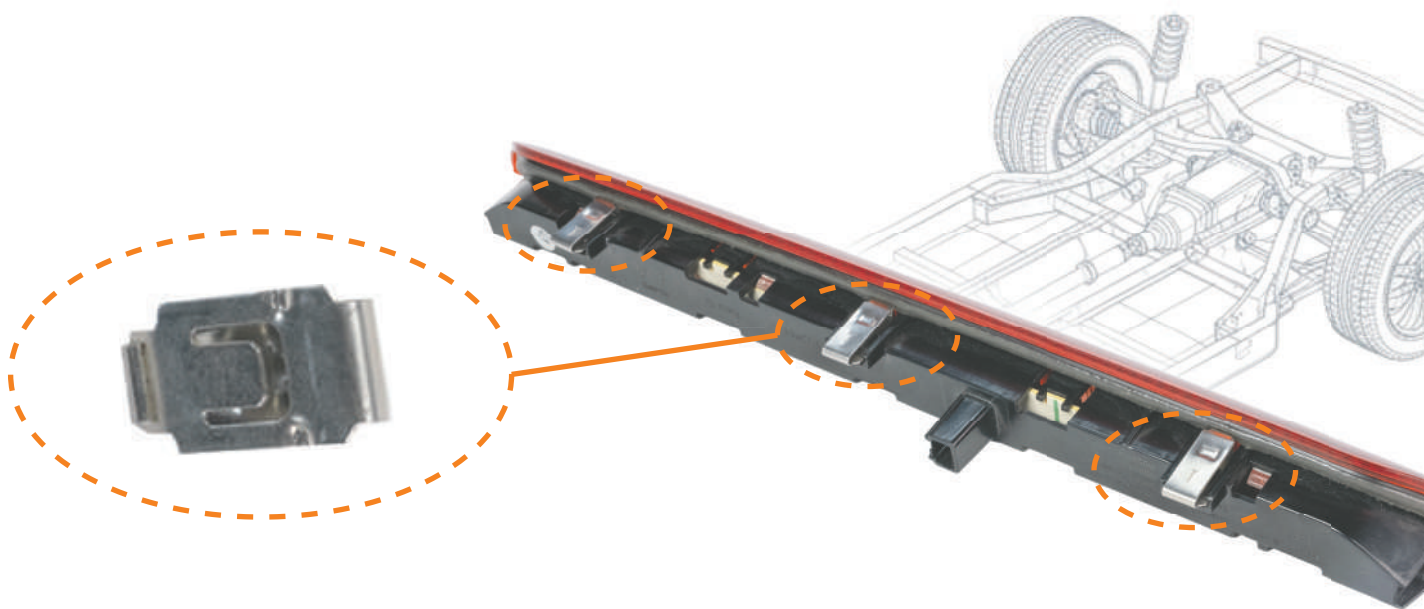
# Parts for Defence Industry

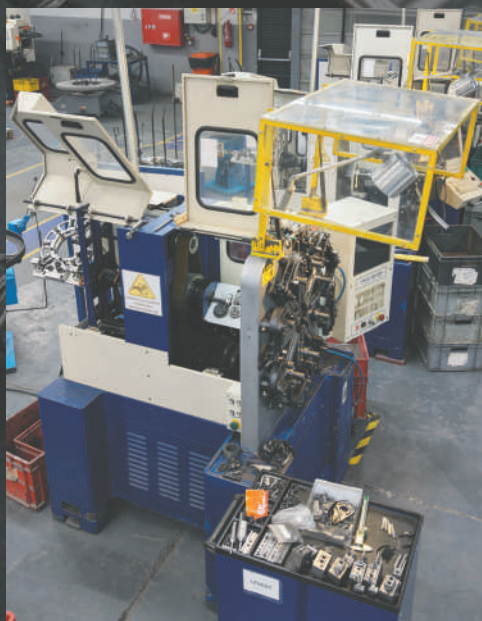


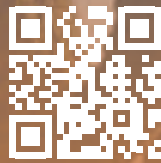
Components manufactured with millimetric precision, meeting the high standards of the defence industry. As Telsama, we offer advanced technology spring and metal form solutions for mechanisms that perform flawlessly even under the harshest field conditions.











**Telsama Metal Industry and Trade Inc.**

[info@telsama.com](mailto:info@telsama.com)

NOSAB 117th Street, No:14, 16140 Nilüfer / Bursa